

LP100-EX Series Explosion Proof Junction Box

Gortex Breather

316 SST



Epoxy Coated Aluminum

Features

- ▶ ATEX-Explosion Proof-Class 1 DIV 1 Rated
- ▶ Corrosion Resistant Baked Epoxy Coated Aluminum
- ▶ Flush Welded
- ▶ Optional - Electrical and Mechanical Connections (Gortex Breather)
- ▶ Easy to Access Wiring Connections

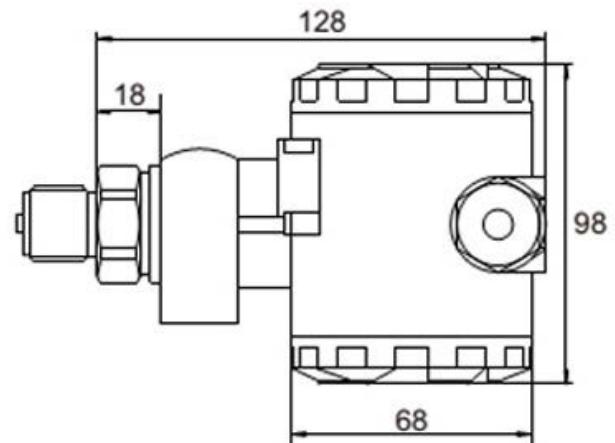
| | |
|---------------------------|--|
| Junction Box | 100-EX Series |
| Enclosure Rating | ATEX, IECEx, NEMA 7 |
| Hardware | 316 SS |
| Wiring Grips | Nylon 66 or PVDF |
| Process Connection | GB,European standard, American standard thread |
| Application | Petrochemical, Chemical, Power, Steel, Cement |



LP100-EX Series

Easy to Access Connections

Dimensions (mm)



Schematic Diagram

